

# Hardwire & Screw-In LED Retrofit Kits



## ILLUMINATION

Kits easily convert incandescent exit signs to energy efficient LED EXIT signs.

Ultra bright, long life Red or Green LED.

## ELECTRICAL

### Hard wire:

Dual 120/277 voltage.

Energy usage of 2.8W per kit.

### Screw-in:

120 voltage only.

Energy usage of 2.8W per kit.

## MOUNTING

Hard wire kits come complete with mounting bracket and double-sided tape for easy installation.

Screw-in kits are supplied with socket adapters for installation in signs with bayonet, intermediate or candelabra bases.

## HOUSING

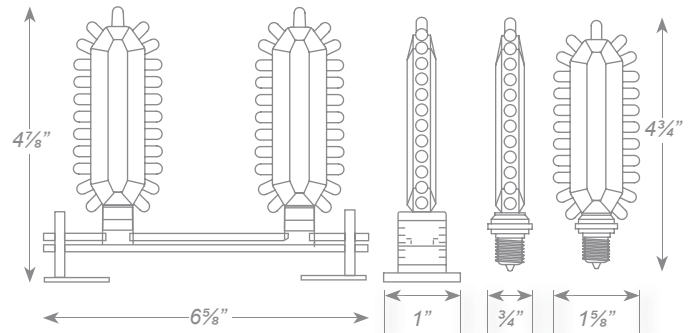
Injection-molded, engineering grade, 5VA flame retardant, high-impact resistant, thermoplastic in white or black finish.

## WARRANTY & LISTINGS

Five year warranty.

Meets UL924, NFPA 101 Life Safety Code, NEC, OSHA, Local and State Code.

## DIMENSIONS



MODEL	HOUSING COLOR
RFXTE-1	Red Hardwire Kit
GFXTE-1	Green Hardwire Kit
RFXTE-3	Red Screw-In Kit
GFXTE-3	Green Screw-In Kit

	INCANDESCENT	GREEN LED KIT	RED LED KIT
EXIT Energy Use	30W (15W lamp x 2)	1.4W (0.7W LED's x 2)	2.8W (1.4W LED's x 2)
"ON" Hours / Year	8760	8760	8760
Price / Kilowatt Hour	\$ 0.09	\$ 0.09	\$ 0.09
Energy Usage / Year	262,800 Watts	12,264 Watts	24,528 Watts
Annual Cost	\$ 23.65	\$ 1.10	\$ 2.21
Watt Savings / Year		<b>250,536</b>	<b>238,272</b>
Annual Savings		<b>\$ 22.55</b>	<b>\$ 21.44</b>

Example based on 9¢/KW/hr

PROJECT	TYPE	CATALOG #

To place an order call us at 1-844-459-3711

Visit us at [getbolt.net](http://getbolt.net)