

BELEDMPAL15

15W Multi-Purpose LED Area Light



Project:	
Type:	
Catalog #:	

STANDARD



The BELEDMPAL series is a group of architectural LED area luminaires designed to illuminate parking areas, pathways, building facades, loading docks, and a wide variety of other large, general site lighting applications. Multiple mounting options make the BELEDMPAL a versatile luminaire for flood lighting, pole-, ground- and wall-mounted area lighting, and other outdoor lighting requirements.

FEATURES

Available in 3000k (warm white), 4000K (neutral white) and 5000K (cool white).*

Long-life LEDs provide 69,000 hours of operation with at least 70% of initial lumen output (L₇₀).**

Delivers 1,570 lumens & 105 lumens per watt (LPW) at 3000k; 1,615 lumens and 108 LPW at 4000k; and 1,667 lumens & 111 LPW at 5000k.*

Standard optic provides an IES roadway type V distribution, or a 7V (vertical) x 7H (horizontal) NEMA floodlight distribution.

Universal 120-277 AC voltage (50-60Hz) is standard.

Power factor > 0.90.

Total harmonic distortion < 20%.

Color rendering index > 80.

Optional full glare shields, half glare shields & wire guards are available.

Die cast aluminum housing with durable, dark bronze powder coat finish, and a heat-resistant polycarbonate lens.

Wireway enclosure is sealed with a watertight silicon rubber gasket.

Effective projected areas (EPA's) are:

Front = 0.05 square feet

Side = 0.04 square feet

Face = 0.12 square feet

Easy installation in new construction or retrofit applications.

* Contact factory for other color temperatures and lumen packages.
 ** L₇₀ hours are IES TM-21-11 calculated hours.

WARRANTY & LISTINGS

cULus listed for wet locations (-30°C to 40°C / -22°F to 104°F)
 IP65 rated.

Complies with FCC Part 15, Class B.

Complies with EN61000-4-5, surge immunity (1kV).

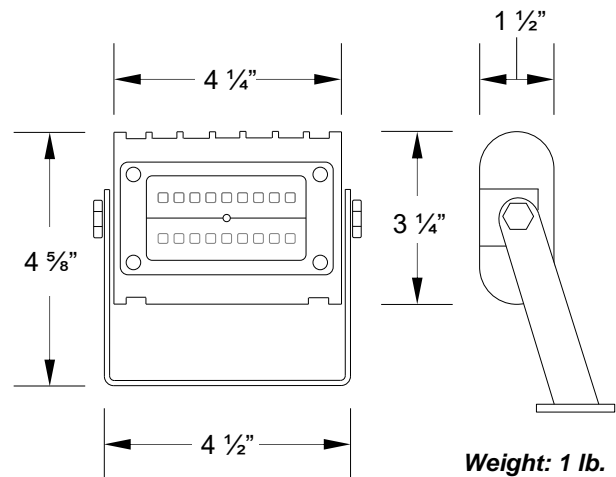
5-year warranty on all electronics and housing.

MOUNTING OPTIONS

Yoke-mount option provides secure attachment to flat surfaces.

Aluminum die-cast knuckle-mount option is installed on a junction box. Includes ½" NPS stem with locking nut.

DIMENSIONS



Weight: 1 lb.

ORDERING INFORMATION

Example: BELEDMPAL15-Y-3K + BEMPAL15-FGS

Model	Luminaire Watts	Luminaire Lumens	Lumens / Watt	Mounting Options	Color Temperature	Shields & Wire Guards (see page 2)
BELEDMPAL15	15	1,570 1,615 1,667	105 108 111	Y = Yoke Mount K = Knuckle Mount	3K = 3000K 4K = 4000K 5K = 5000K	BEMPAL15-FGS = Full Glare Shield BEMPAL15-HGS = Half Glare Shield BEMPAL15-WG = Wire Guard

To place an order, call us at 1.844.459.3711

Visit us at
getbolt.net

ELECTRICAL DATA

Model	Color Temperature	CRI ¹	Luminaire Lumens	Luminaire Watts	Lumens Per Watt	Input Voltage ²	Input Current (A)			Power Factor	THD ³	L ₇₀ Hours ⁴
							120V	240V	277V			
BELEDMPAL15-3K	3000k	> 80	1,570	15	105	120-277	0.13	0.06	0.05	> 90%	< 20%	69,000
BELEDMPAL15-4K	4000k	> 80	1,615	15	108	120-277	0.13	0.06	0.05	> 90%	< 20%	69,000
BELEDMPAL15-5K	5000k	> 80	1,667	15	111	120-277	0.13	0.06	0.05	> 90%	< 20%	69,000

¹ Color rendering index.

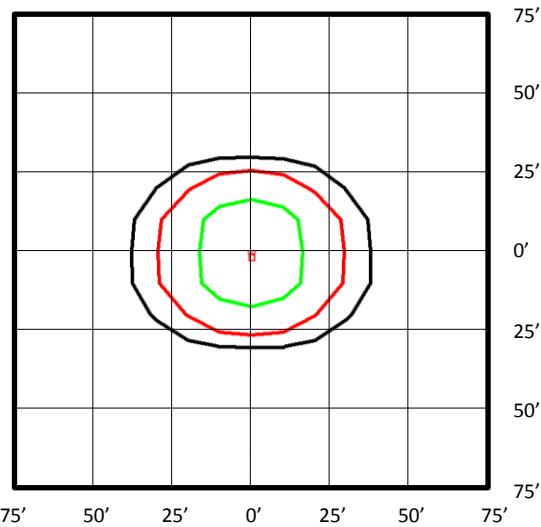
² All 50-60Hz.

³ Total harmonic distortion.

⁴ L₇₀ refers to the number of hours at which lumen output declines to 70% of the initial level. L₇₀ hours are IES TM-21-11 calculated hours.

PHOTOMETRIC DATA

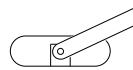
BELEDMPAL15-5K (1,667 Lumens, Type V Distribution)



Foot Candles

- 5.0
- 2.0
- 1.0
- 0.5
- 0.2
- 0.1

Luminaire Orientation:

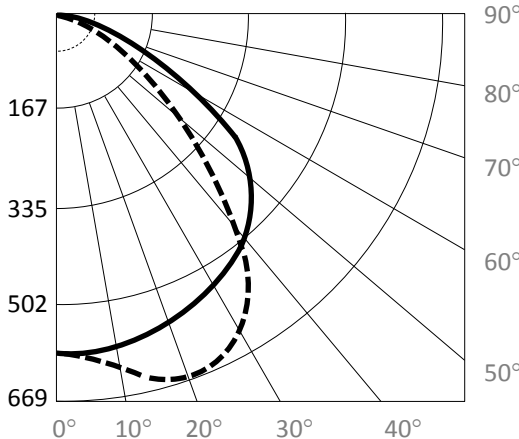


Notes:

- Isofootcandle plots depict initial footcandles at grade.
- Gridlines represent units of mounting height of 25 feet.

BUG Rating: B1-U1-G0

Zone	Lumens	%
FL - Front - Low (0-30)	260	16%
FM - Front - Medium (30-60)	502	30%
FH - Front - High (60-80)	94	6%
FVH - Front - Very High (80-90)	6	0%
Total Forward Light	862	52%
BL - Back - Low (0-30)	254	15%
BM - Back - Medium (30-60)	459	28%
BH - Back - High (60-80)	86	5%
BVH - Back - Very High (80-90)	5	0%
Total Back Light	804	48%
UL - Up Light - Low (90-100)	0	0%
UH - Up Light - High (100-180)	1	0%
Total Up Light	1	0%
Total Lumens	1,667	100%



NEMA Floodlight Type Data

Field Angles:

- Horizontal 147°
- Vertical 133°

NEMA Type:

- Horizontal 7H
- Vertical 7V

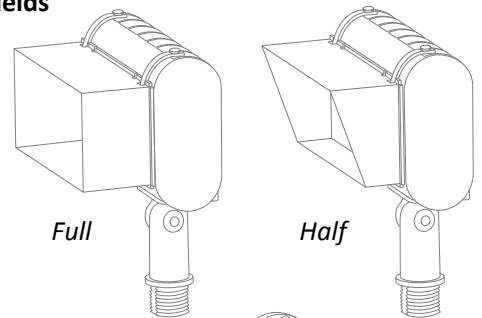
Luminaire Orientation:



Maximum Candela = 669

- Horizontal
- - - Vertical

Shields



Wire Guards

