

Economy 5"/6" Recessed LED Retrofit Module

APPLICATIONS

5" & 6" recessed downlight retrofit solution with integrated LED power supply and thermal management system combined in a single compact unit designed to fit most standard 5" & 6" recessed cans.

WARRANTY & LISTINGS

- Tested in accordance with IESNA LM79 & LM80.
- ETL US and Canada listed for wet locations.
- Standard 12-watt models Energy Star qualified.
- Passes FCC Class B.
- C option models meet State of California Title 24, 2016 requirements.
- ROHS compliant.
- 5-year warranty of all electronics and housing.

HOUSING

- Compatible with most 5" and 6" housings.
- Compatible with insulated, non-insulated, and airtight ceilings (IC rated wet location).
- Durable thermoplastic construction.
- E26 medium screw-base Edison connector provides easy retrofit of incandescent housings.
- Optional 6" square baffle snap-in available.

MOUNTING OPTIONS

- Easy installation with adjustable torsion spring.
- Torsion spring designed to fit into 5" or 6" housing automatically without changing mounting tab.
- No tools required for installation.

Round or square baffle options available

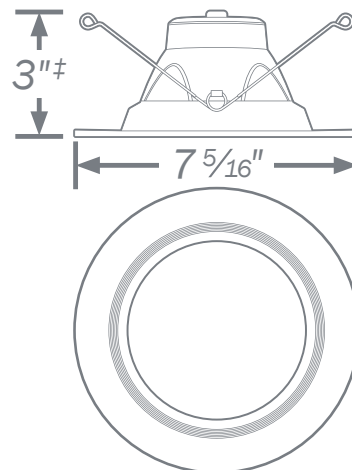


FEATURES

- Dimmable to 10% with most dimmers.
- Saves 75% of energy compared to incandescent sources.
- High-efficiency driver with a power factor $\geq .90$ with input power of 120V, 50-60Hz.
- Built-in LED driver.
- Standard 12-watt power consumption; 16 watts for 1200-lumen models.
- Operation temperatures from $-20^{\circ}\text{C}/-4^{\circ}\text{F}$ to $40^{\circ}\text{C}/104^{\circ}\text{F}$.
- Choice of 2700K (± 145), 3000K (± 175), 3500K (± 225), 4000K (± 275), or 5000K (± 283) color temperature with 80 CRI (90 CRI with Title 24-compliant models)*.
- Long-life LEDs with up to 50,000 hours at 70% lumen maintenance (L_{70})**.
- 750-1200 lumens output from luminaire.
- Uses 1.18W high power, high quality LEDs.

* Contact factory for other color temperatures and lumen packages.
 ** L_{70} hours are IES TM-21-11 calculated hours.

DIMENSIONS



‡ 1200 lumens unit is 3.8" high.



PROJECT	TYPE	CATALOG #

ORDERING INFO *Example: BEBRK-LED56-BW-3K-ECO-C + BELED56-TRMPLT-ECO-SQ*

MODEL	WATTAGE	COLOR TEMPERATURE	ECONOMY	TITLE 24 COMPLIANT		LUMENS	ENERGY STAR COMPLIANT
				(blank)	C		
BEBRK-LED56-BW-27K	12	2700	ECO	(blank)	NO	900	YES
				C	YES	750	YES
BEBRK-LED56-BW-3K	12	3000	ECO	(blank)	NO	960	YES
				C	YES	780	YES
BEBRK-LED56-BW-35K	12	3500	ECO	(blank)	NO	980	YES
BEBRK-LED56-BW-4K	12	4000	ECO	(blank)	NO	1000	YES
				C	YES	810	YES
BEBRK-LED56-BW-5K	12	5000	ECO	C	YES	1060	YES
BEBRK-LED56-BW-16W-27K	16	2700	ECO	C	YES	1200	NO
BEBRK-LED56-BW-16W-3K	16	3000	ECO	C	YES	1200	NO
BEBRK-LED56-BW-16W-4K	16	4000	ECO	C	YES	1200	NO

ADDITIONAL OPTIONS *(order separately)*

MODEL	OPTION
BELED56-TRMPLT-ECO-SQ	Square baffle snap-in
BELED6A-TRMPLT-ECO-SPWHT	Silver/white baffle snap-in
BELED6A-TRMPLT-ECO-BK	Black baffle snap-in
BELED6A-TRMPLT-ECO-N	Nickel/silver baffle snap-in
BELED6A-TRMPLT-ECO-BZ	Bronze/mocha baffle snap-in

Square baffle snap-in dimensions

