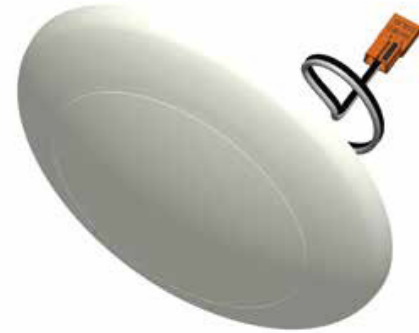


Surface LED Dome Light



APPLICATIONS

6" surface dome light solution with integrated LED power supply and thermal management system combined in a single compact unit designed to fit most standard 3", 4", 5" and 6" recessed cans, also work in 4" junction box.

ILLUMINATION

Long-life LEDs provide up to 50,000 hours at 70% lumen maintenance.
 Choice of 2700K (±145), 3500K (±245), color temperature with 80 CRI.
 Produces 1200 lumens output from luminaire.
 Uses 1.18W high power, high quality LEDs.

ELECTRICAL

Dimmable to 10% with most dimmers.

Lutron Maestro C-L	MACL-153MR
Lutron Skylark C-L	SCL-153P
Leviton Sureslide	Cat.No.6674
Lutron	PD-6WCL
Legrand Harmony	HCL453PTCCCV6

Save 75% compared to incandescent sources.
 High efficiency driver with a power factor ≥ .90 with input power of 120V, 50-60Hz.
 Built-in LED Driver.
 Power consumption of 14 watts.
 Operation temperature of - 20°C - 40°C (-4 °F- 104°F).

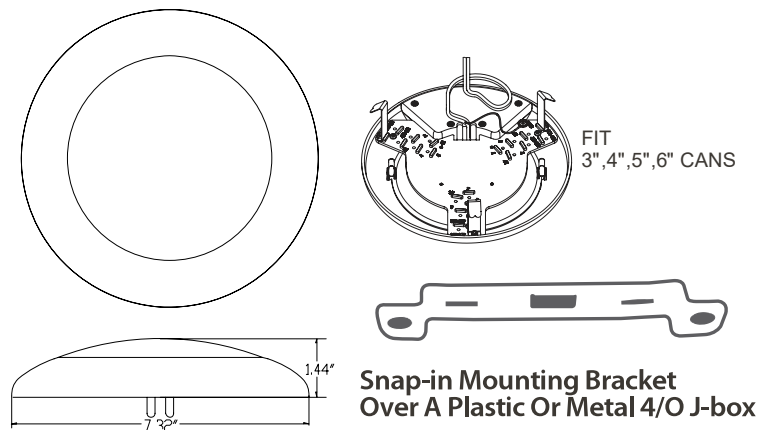
HOUSING

Surface mount dome used with 3", 4", 5" and 6" housings.
 Compatible with insulated, non-insulated, and air-tight ceilings.
 Durable thermoplastic construction.
 E26 medium screw-base Edison connector provides easy retrofit of incandescent housings.

WARRANTY/LISTING

Tested in accordance with IESNA LM79 & LM80.
 ETL Listed for wet location US and Canada.
 Energy Star certified.
 Passes FCC Class B.
 Meets State of California Title 24 requirements.
 Five year warranty on all electronics and housing.

DIMENSIONS



MODEL	WATTS	LUMENS	KELVIN RATING
BEBRK-LED36-DL-27K-ECO	Dome Light	1200	2700K
BEBRK-LED36-DL-35K-ECO	Dome Light	1200	3500K